



PROFESSIONAL QUALITY COOKING EQUIPMENT

# OWNER'S MANUAL FOR PROFESSIONAL SERIES FRYERS

MODEL NUMBERS:

AF25, AF25/25, AF35/40, AF35/50,  
AF35/50RM, AF50/25, AF75, AFDS



DESIGN



CLASS



FUNCTION



FOR  
YOUR  
SAFETY

**FOR YOUR SAFETY!**  
Do not store or use gasoline or  
other flammable vapors or liquids  
in the vicinity of this or any other appliance.

FOR  
YOUR  
SAFETY

WARNING

IMPROPER  
INSTALLATION

**WARNING!**  
Improper installation, adjustment, alteration, service  
or maintenance can cause property damage, injury  
or death and will void warranty. Read the  
installation, operating and maintenance instructions  
thoroughly before installing or servicing this equipment.

WARNING

IMPROPER  
INSTALLATION

**IMPORTANT SERVICE NOTICE!**

Using any part other than genuine American Range factory supplied  
parts relieves the manufacturer of all liability.  
American Range reserves the right to change product design and  
specifications without notice. Such revisions do not entitle the buyer  
to corresponding changes, improvements, additions or replacements  
for the previously purchased equipment.

Instructions to be followed in the event the user smells gas should be posted  
in a prominent location. This information should be obtained by  
consulting the local gas supplier.

**RETAIN THIS MANUAL FOR FUTURE REFERENCE.**

This equipment is design engineered for commercial use only.

Model Number: \_\_\_\_\_

Serial Number: \_\_\_\_\_

Purchase Date: \_\_\_\_\_

Installed By: \_\_\_\_\_ Install Date: \_\_\_\_\_

Gas Type: \_\_\_\_\_

Electrical Information: \_\_\_\_\_



## PROFESSIONAL QUALITY COOKING EQUIPMENT

To Our Most Valued Customer:

Congratulations on your purchase of an American Range product. We hope you will enjoy the design, manufactured quality, innovative features and cooking performance of this product – it represents our continuing dedication to satisfying the most demanding needs of customers like you.

Please read this manual and become familiar with important safety information about how to install and set-up the unit, basic operating instructions, and how to maintain that just-like-brand-new appearance and performance - over years of day-to-day use.

If you should encounter any sort of problem, turn to the section of the manual entitled, "Troubleshooting" – for a quick solution or guidance regarding the next step required to get back to tip-top condition.

Thank you for choosing an American Range product for your kitchen. As you can expect, this appliance is designed for years of reliable service. If you have any questions or comments, please contact the dealer from whom you purchased the unit, or contact American Range Customer Service via email: [info@americanrange.com](mailto:info@americanrange.com) at [www.americanrange.com](http://www.americanrange.com), or call 888.753.9898.

Sincerely,

*Shane Demirjian*

President, American Range Corporation



**Table of Contents**

**GENERAL..... 1-3**

- General Information ..... 1
- About This Manual.....2
- Shipping Damage Claim Procedure.....3
- Rating Plate .....3
- Clearances.....3

**INSTALLATION ..... 4-6**

- Gas Utility Connections-Standards & Codes..... 4
- Instructions.....4
- Fryers with Casters.....4
- Wiring Diagram.....5
- Models and Parts Identification.....6
- Installation Checklist.....7

**OPERATING .....8-9**

- Before Turning Burner On..... 8
- Lighting .....8
- Frying with Shortening.....8
- Cleaning.....9

**EXPLODED VIEW DRAWINGS/PARTS LISTS..... 10-17**

- AF-25.....10-11
- AF-35/50.....12-13
- AF-45.....14-15
- AF-75.....16-17

**TROUBLESHOOTING..... 18**

## WARNING

If the information in this manual is not followed exactly, a fire or explosion may result causing damage, personal injury or death.

- INSTALLATION AND SERVICE MUST BE PERFORMED BY A CERTIFIED / LICENSED INSTALLER, SERVICE AGENCY OR THE GAS SUPPLIER
- Do not store or use gasoline or other flammable vapors or liquids in the vicinity of this or any other appliance.

- WHAT TO DO IF YOU SMELL GAS
  - Do not try to light any appliance.
  - Do not touch any electrical switch, do not use any phone in your building.
  - Immediately call your gas company. Follow the gas supplier instructions.
  - If you cannot reach your gas supplier, call the Fire Department.

### WARRANTY REQUIREMENT

For reliable operation and for your own safety, this professional cooking equipment must be installed by a certified/licensed contractor.

Failure to comply will void any written or implied warranty.

Should the equipment require service during the standard warranty period, the receipt proving certified installation must be made available to American Range for verification.

If installation was not performed by a certified/licensed contractor be prepared to submit a major credit card for payment for proper installation.

- Please observe all local and national codes and ordinances.
- Do not remove any permanent warning labels or plates from this product.
- Consumers should retain these instructions for local inspectors and for future use.

## ABOUT THIS MANUAL

The Use and Care Manual is divided into several sections:

**The Safety Section** informs you about significant safety precautions when installing and operating your new fryer. This is a must read section of the manual.

**Quick Start and Installation Section** describes how to unpack the unit, what to save and what to discard, installation dimensions, gas and electrical connections and how to identify the primary parts of the product so you can better understand what's going on "under the hood".

**How to Use Your Product** shows you how to light the pilot and set frying temperatures.

**The Care and Maintenance and Troubleshooting and Service Sections** discuss how to keep your product in good operating condition, how to identify what might be going wrong with the unit, and how to communicate your observations with authorized field service technicians.

**Before using your appliance, please read this manual paying special attention to the important safety instructions located in the next several pages.**



This is the SAFETY ALERT SYMBOL. This symbol alerts you to hazards which will result in severe injury or death.



### DANGER

Hazards or unsafe practices which will result in severe personal injury or death.



### WARNING

Hazards or unsafe practices which may result in severe personal injury or death.



### CAUTION

Hazards or unsafe practices which may result in minor personal injury or property damage.

### CALIFORNIA PROPOSITION 65 WARNING

The burning of gas cooking fuel generates some by-products which are on the list of substances known by the State of California to cause cancer or reproductive harm. California law requires businesses to warn customers of potential exposure to such substances. To minimize exposure to these substances, always operate this unit according to the Owners Manual, ensuring you provide proper ventilation when cooking with gas.

# IMPORTANT - PLEASE READ AND FOLLOW!

- Before beginning, please read all the instructions carefully.
- **DO NOT** remove permanently affixed labels, warnings, or plates from product. This will void the warranty.
- All local and national codes and ordinances must be observed; installation must conform with local codes.
- The Installer must leave these instructions with the consumer who should retain for local inspector's use and for future reference.
- Installation and service must be performed by a certified / licensed installer, service agency or gas supplier.

Your safety and the safety of others is very important. We have provided many important safety messages in this manual and on your appliance. Always read and obey all safety messages.

### SHIPPING DAMAGE CLAIM PROCEDURE

The equipment is crafted and inspected carefully by skilled personnel before leaving the factory. The transportation company assumes full responsibility for the safe delivery upon acceptance of the equipment.

If you receive a damaged product, immediately contact your delivery company, your dealer, your builder or installer. Do not install or attempt to operate a damaged appliance.

1. Note any visible loss or damage on the freight bill or express delivery and have the note signed by the person making the delivery.
2. File claim for damages immediately regardless of the extent of damages.
3. For damage noticed after unpacking (concealed loss or damage), notify the transportation company immediately and file a "Concealed Damage" claim with them. This should be done within fifteen (15) days from the date that delivery is made to you. Retain the shipping container for inspection.

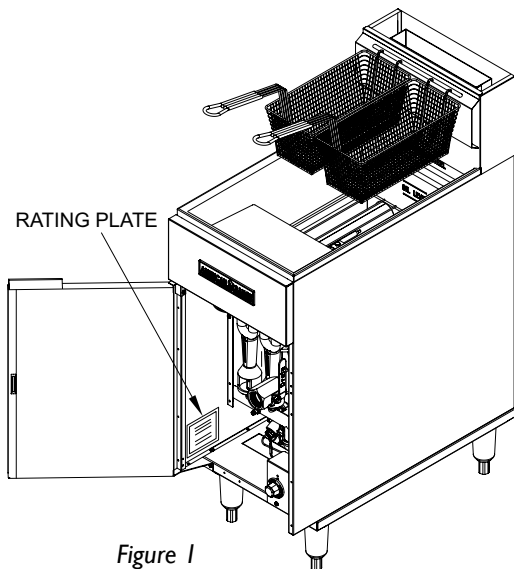
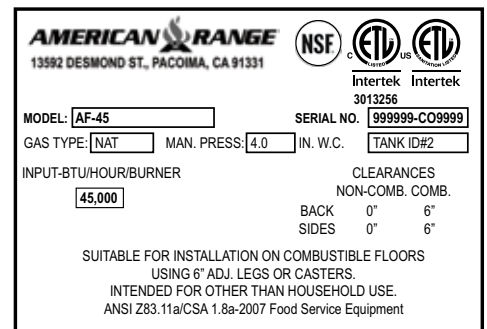


Figure 1

**RATING PLATE** - The location of the rating plate is shown in *Figure 1*. The information on the rating plate defines the model, serial number, gas type (natural or liquid propane), operating pressures and burner BTU ratings. Keep this information for future reference. It is essential for proper identification of the unit when requesting additional information or factory support.



Rating Plate



Appliances must be connected only to the type of gas identified on the rating plate.

**CLEARANCES** - The appliance must be kept free and clear of all combustible materials. This unit is designed and certified for the following installation only:

CLEARANCES		
	NON-COMBUSTIBLE	COMBUSTIBLE
Sides	0"	6"
Rear	0"	6"
Floor	0"	6"

Installation on non-combustible floor shall be with factory supplied legs or casters.

## INSTALLATION

### INSTALLATION - GAS UTILITY CONNECTIONS-STANDARDS AND CODES



The installation instructions contained here are for the use of qualified installation and service personnel only. Installation or service by other than certified / licensed personnel will void the warranty and will result in damage to the fryer and/or injury to the operator.

Qualified installation personnel, licensed and bonded, must be experienced in such work, familiar with all precautions required and have complied with all requirements of state or local authorities having jurisdiction.

The ventilation of these fryers should be in accordance with local codes. In absence of local codes, refer to the national ventilation code titled, Standard for the Installation of Equipment for the Removal of Smoke and Grease Laden Vapors from Commercial Cooking Equipment, NFPA-96-Latest Edition.

The appliance is to be installed with a check valve in accordance with applicable federal, province and local codes.

**GENERAL EXPORT INSTALLATIONS** - Installation must conform to Local and National Standards. Local installation codes and/or requirements may vary. If you have any questions regarding the proper installation or operation of your American Range Fryer, please contact your local distributor. If you do not have a local distributor, contact American Range Corporation at 1.888.753.9898 or visit us at [www.americanrange.com](http://www.americanrange.com)

### INSTRUCTIONS

The area around the appliance must be kept free and clear of combustibles such as solvents, cleaning liquid, broom, rags, etc.

All threaded joints of the appliance piping must be sealed with a compound that is resistant to the action of natural gas or liquefied petroleum gases and the joint connection checked for gas leaks using a soapy water solution before lighting the pilots.

Proper clearances must be provided at the front of the appliance for servicing and proper operation.

For proper combustion and ventilation provisions shall be incorporated in the design of the kitchen, to ensure adequate supply of fresh air and adequate clearance for air openings into the combustion chamber.

For proper operation of the appliance, do not obstruct the flow of combustion and ventilation air.

A manual gas shut-off valve shall be installed when the appliance is connected to the gas supply.

The rating plate is located inside of the left side panel.

The connecting wiring diagram is located on the lower inside of the left side panel.

The installation must conform with local codes, or in the absence of local codes, with the National Fuel Gas Code, ANSI Z223.1 NFPA54, or the Natural and Propane Gas Installation Code, CSA B149.1, as applicable, including:

1. The appliance and its individual shut-off valve must be disconnected from the gas supply piping system during any pressure testing of that system at test pressure in excess of 1/2 PSI (3.5KPa).
2. The appliance must be isolated from the gas supply piping system by closing its individually manual shut-off valve during any pressure testing of the gas supply piping system at test pressure equal to or less than 1/2 PSI (3.5KPa).

The gas supply line must be at least 3/4" ID (inside dimensions) size as the gas inlet of the appliance.

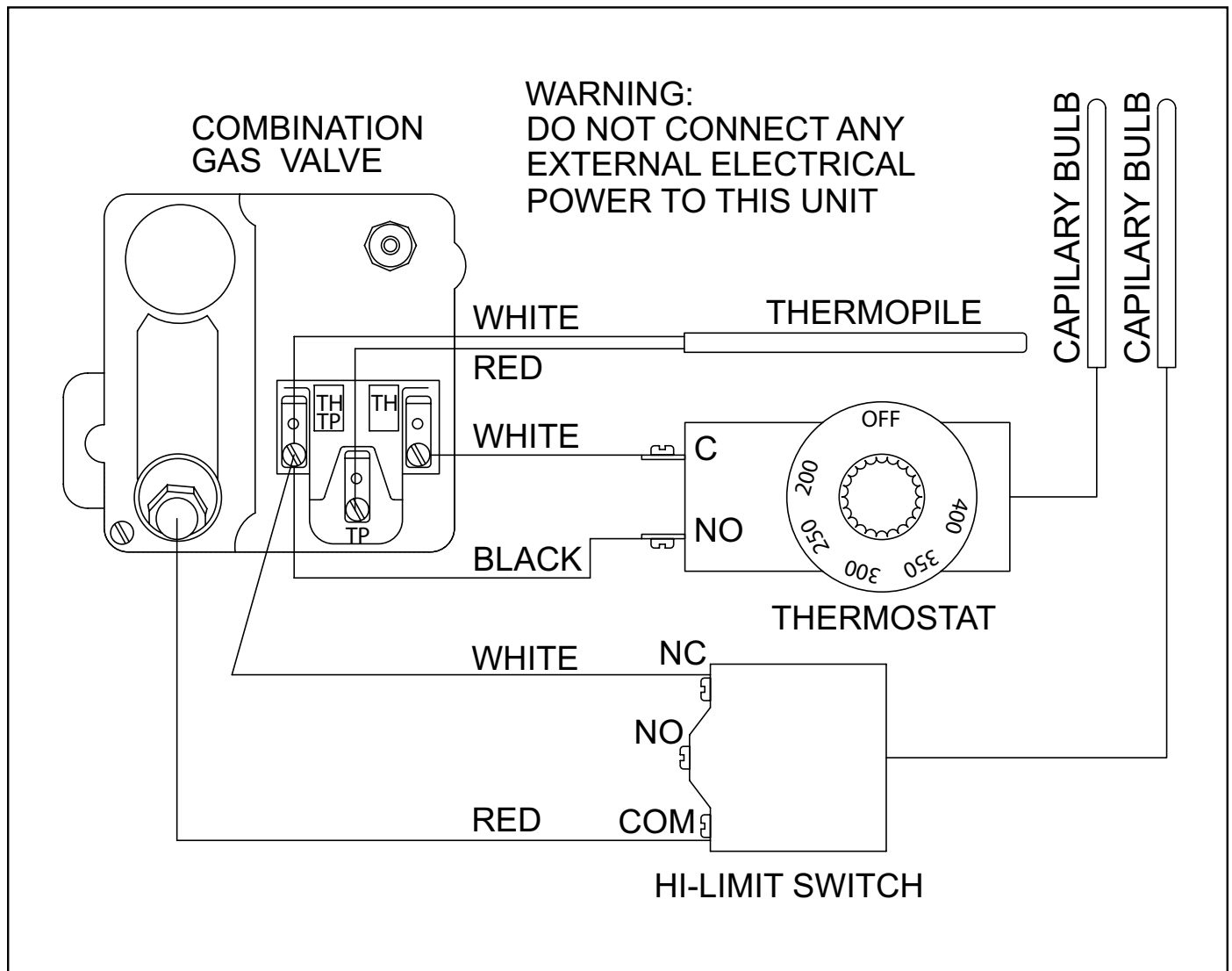
**FRYERS WITH CASTERS** - When this appliance is installed with casters it must be installed with a connector that complies with the standard for connectors for movable gas appliances, ANSI Z21.69 CSA.16. and a quick-disconnect device that complies with the standard for quick-disconnect devices for use with gas fuel, ANSI Z21.41 CSA6.9. Adequate means must be provided to limit the movement of the appliance without depending on the connector and the quick-disconnect device or its associated piping to limit the appliance movement. The restraining device may be attached to the rear panel of the appliance.



When installing the pressure regulator - remember it can only handle 1/2 PSI. In every LPG installation, you have high source pressures, ranging from 20 PSI to 100 PSI. If the high pressure gas line from the LPG tank is directly connected to the unit without the proper step-down regulator, it will rupture the diaphragm in the valve, rendering it useless.



**WIRING DIAGRAM**



## MODEL AND PARTS IDENTIFICATION

	AF SERIES FRYERS							
DESCRIPTION	AF25	AF25/25	AF35/40	AF35/50	AF35/50RM	AF25/50	AF75	AFDS
Basket Hanger	1	2	1	1	1	2	1	0
Baskets	1	2	2	2	2	3	2	0
Rack/Screen	1	2	1	1	1	2	1	1
Burners	2	4	2	3	3	5	4	
Drain Extension Pipe	1	2	1	1	1	2	1	0
Legs	2	4	4	4	4	4	4	4
Regis. Card	1	1	1	1	1	1	1	1
U&C Manual	1	1	1	1	1	1	1	1

# INSTALLATION CHECKLIST

This checklist has been developed to assure proper installation of your oven.  
 To validate warranty, you must mail, e-mail or fax this form and a copy of your receipt to:  
**AMERICAN RANGE CUSTOMER SERVICE, 13592 DESMOND STREET, PACOIMA, CA 91331**  
**service@americanrange.com**  
**818.897.8839 FAX**

Street: \_\_\_\_\_ Purchase Date: \_\_\_\_\_

City, State, Zip Code: \_\_\_\_\_ Installation Date: \_\_\_\_\_

E-mail: \_\_\_\_\_ Installer's Name: \_\_\_\_\_

Telephone: \_\_\_\_\_ Company: \_\_\_\_\_

Dealer: \_\_\_\_\_ Telephone: \_\_\_\_\_

## CHECK ALL THAT APPLY

**Appearance and Aesthetics**

- Exterior
- Top section
- Oven interior

**Installation**

- Read User Manual
- Review Safety Instructions
- Proximity to cabinets
- Backguard in place
- Level
- Ventilation system

**Ignition**

- Top Burners
- Griddle
- Char Broiler
- Oven Burner
- Infrared Broiler

**Controls**

- Burner Knobs
- Thermostats
- Char Broiler
- Convection Oven Fan & Switch
- Oven Light Switch

**Electrical Connection**

- Correct voltage
- Grounded outlet
- Polarized outlet
- No GFCI

**Gas Connection**

- Verify fuel:  Natural -or-  LP
- Gas shut-off present and accessible
- Gas Supply line properly sized
- Gas Supply pressure checked
- Operating pressure checked
- All connections checked for leaks

**Flame Adjustment**

- Top Burners
- Griddle
- Char Broiler
- Oven Burner
- Infrared Broiler

**Air/Gas Mixture**

- Top Burners
- Griddle
- Char Broiler
- Oven Burner
- Infrared Broiler

**Valve Operation**

- Top Burners
- Griddle
- Char Broiler
- Oven Burner
- Infrared Broiler

**Oven Door**

- Alignment
- Door Seal
- Hinges

Customer Copy

## OPERATING INSTRUCTIONS



The installation instructions contained here are for the use of qualified installation and service personnel only. Installation or service by other than certified / licensed personnel will void the warranty and will result in damage to the oven and/or injury to the operator.

### BEFORE TURNING THE BURNER ON

1. Fill the vessel with a liquid oil up to the "Level" marking.
2. Do not operate fryer without oil in the vessel.
3. Do not overfill the vessel.

### LIGHTING

1. Before attempting to light this appliance, the door if so equipped, shall be open.
2. Turn the appliance manual gas shut-off valve to the OFF position.
3. Turn the combination gas control knob to the OFF position.
4. Turn the thermostat control to the OFF position.
5. Wait 5 minutes.
6. Turn the appliance manual gas shut-off valve to the ON position.
7. Turn the combination gas control knob to the PILOT position.
8. Light the pilot with a match while depressing and holding the combination gas control knob until the pilot remains lit upon releasing the gas control knob.
9. Turn the combination gas control knob to the ON position.
10. Turn the thermostat control knob to the desired temperature to turn burners ON.
11. Ensure that the door is closed during operation.
12. For complete shut-down, repeat steps 2, 3, and 4.

LIGHTING INSTRUCTION is located on the lower inside of the left side panel.

### FRYING WITH SHORTENING

The type of fat that you use in frying influences many qualities of the finished product such as flavor, texture, shelf life and nutritional attributes. How often you use the fryer – and the temperature that you cook at - will determine how long the fryer oil can be used – most can last up to 100 hours.

Depending on the menu and local eating patterns, fryers will usually be operated at full capacity for a few hours a day, intermittently for a few hours and be idle the remainder of the time. Operating a fryer on an intermittent basis is the primary reason that frying oil must be discarded and replaced periodically. During the idle and low production periods, the oil is subjected to thermal and oxidative stress more than it is during the active frying process. If fryers were operated without interruption and oil was filtered regularly, frying oil would rarely need to be discarded.

Oil and shortening are two types of fat that are typically used in commercial deep fryers. Shortening comes in tubs or bricks and quickly melts down to a liquid for frying purposes – however, it is not used as much now, because it is high in calories and fat. Healthier fry oils like vegetable, canola, and the like are more commonly used in restaurants.

When deep fat frying, remember to never operate the fryer with the tank empty. The burners used in fryers are very powerful – mainly to quickly heat the oil and to help recover heat during the cooking process. This power can damage a fryer tank, because the metal of the tank – which is usually cooled by the oil – expands and this expansion could stress and fracture the welds.

So, the tank must be filled with water or cooking oil/shortening before lighting the burners. The bottom line is that failure to do so will damage the tank and may even cause a fire.

To deep fry with shortening, always start with an empty and/or cleaned-out tank and melt the shortening on the stove - carefully pouring it into the tank. That way, you can be sure the shortening is in full contact with the fryer tank metal – eliminating the potential of weld fracture from dry firing.

## OPERATING INSTRUCTIONS

### WEEKLY CLEANING

1. Shut down the fryer by turning the thermostat and pilot valve to the OFF position.
2. Disconnect the restraining device before moving the appliance for cleaning and servicing.
3. Drain the fryer into a filtered pan or steel container. Flush out sediment at the bottom of fryer with liquid oil.
4. Close the drain valve and fill the vessel with a mixture of boil-out solution and water.
5. Relight the pilot and turn on the burners.
6. When the solution starts to boil, turn off the thermostat and let the vessel soak to soften deposits and/or carbon spots. Approximately one hour.
7. Drain off the solution, scrub the insides with brush and rinse thoroughly.
8. Repeat steps 4-7 if necessary.
9. Wipe dry with soft towels and refill with oil/shortening.
10. Re-connect the restraining device after returning the appliance to its originally installed position.

**STAINLESS STEEL PARTS** - Do not use steel wool, abrasive cloths, cleaners or powders to clean Stainless Steel surfaces. All Stainless Steel parts should be wiped regularly with hot soapy water during the day and a Stainless Steel cleaner at end of the day. To remove encrusted materials, soak in hot water to loosen the material - then use a wood or nylon scraper.



### WARNING

All water must be removed before adding oil or shortening. Not doing so can result in splattering of hot oil causing severe burns and burn hazard.



### WARNING

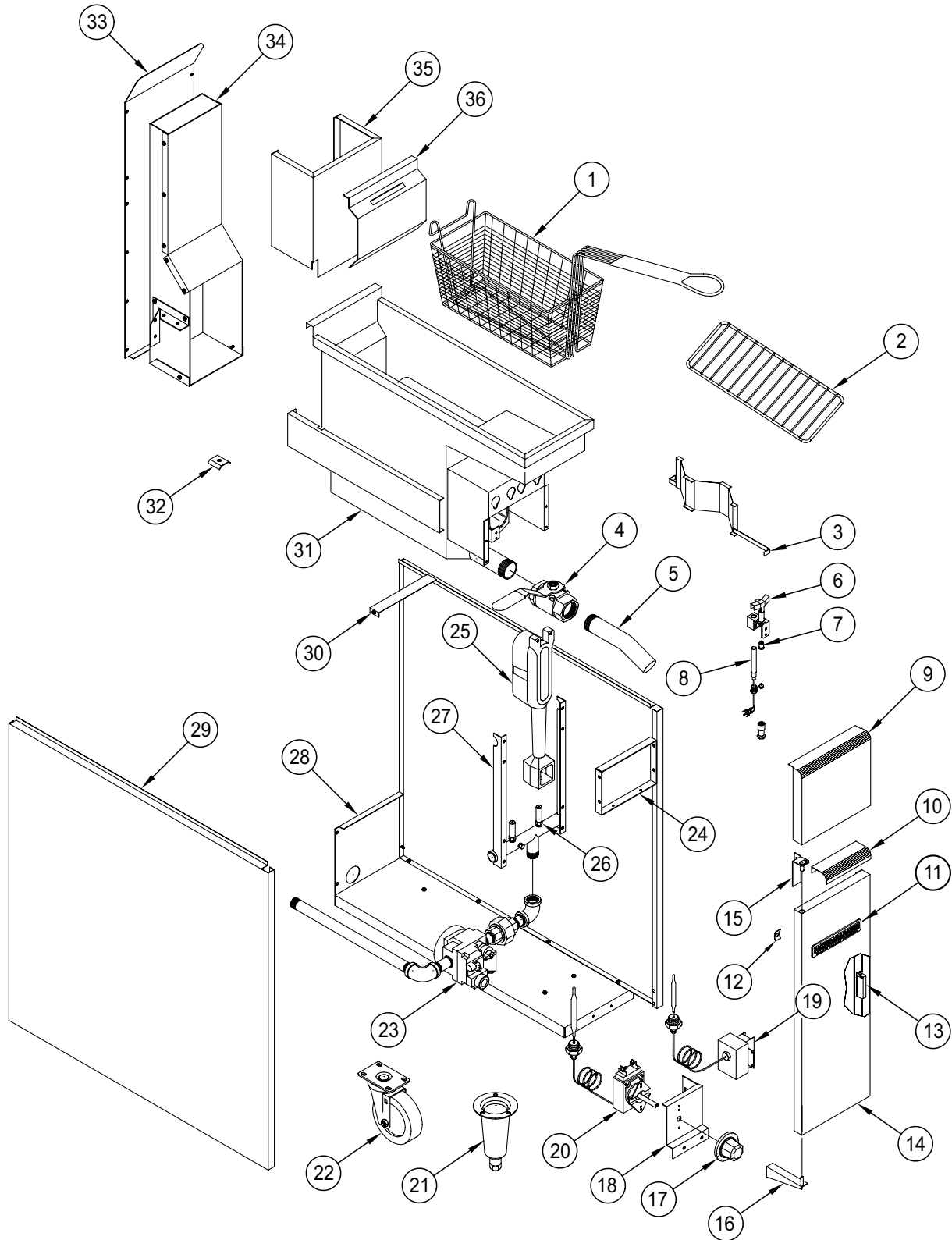
DO NOT DRY-FIRE; operating the unit without liquid is an extreme fire hazard and will cause irreparable damage such as gas leaks, scorched surfaces and burnt components.



### WARNING

1. Do not dry fire the fryer; this will cause a leak. Dry firing is typically done after cleaning when the end user wants to dry out the tank the "easy" way. It is a major cause of tank damage in the industry.
2. Do not drain the oil while it's hot; wait until it cools before emptying. Rapid change in temperature causes stress fractures and tears at the seams.
3. Do not use acidic cleaners; use only boil-out solution. Acid can cause erosion to metal and in due time can cause a leak in the tank.
4. Solid shortening must be liquefied before filling the tank. The tank walls must have liquid against it in order to transfer heat and avoid overheating and stressing the metal to the point of a tear.
5. Do not rinse off a hot tank with cold water. Always allow it to cool first.
6. Do not use sharp tools to clean the fryer.
7. Keep your tank clean. Check for debris buildup at the bottom of the tank, and never allow too much build-up to occur.

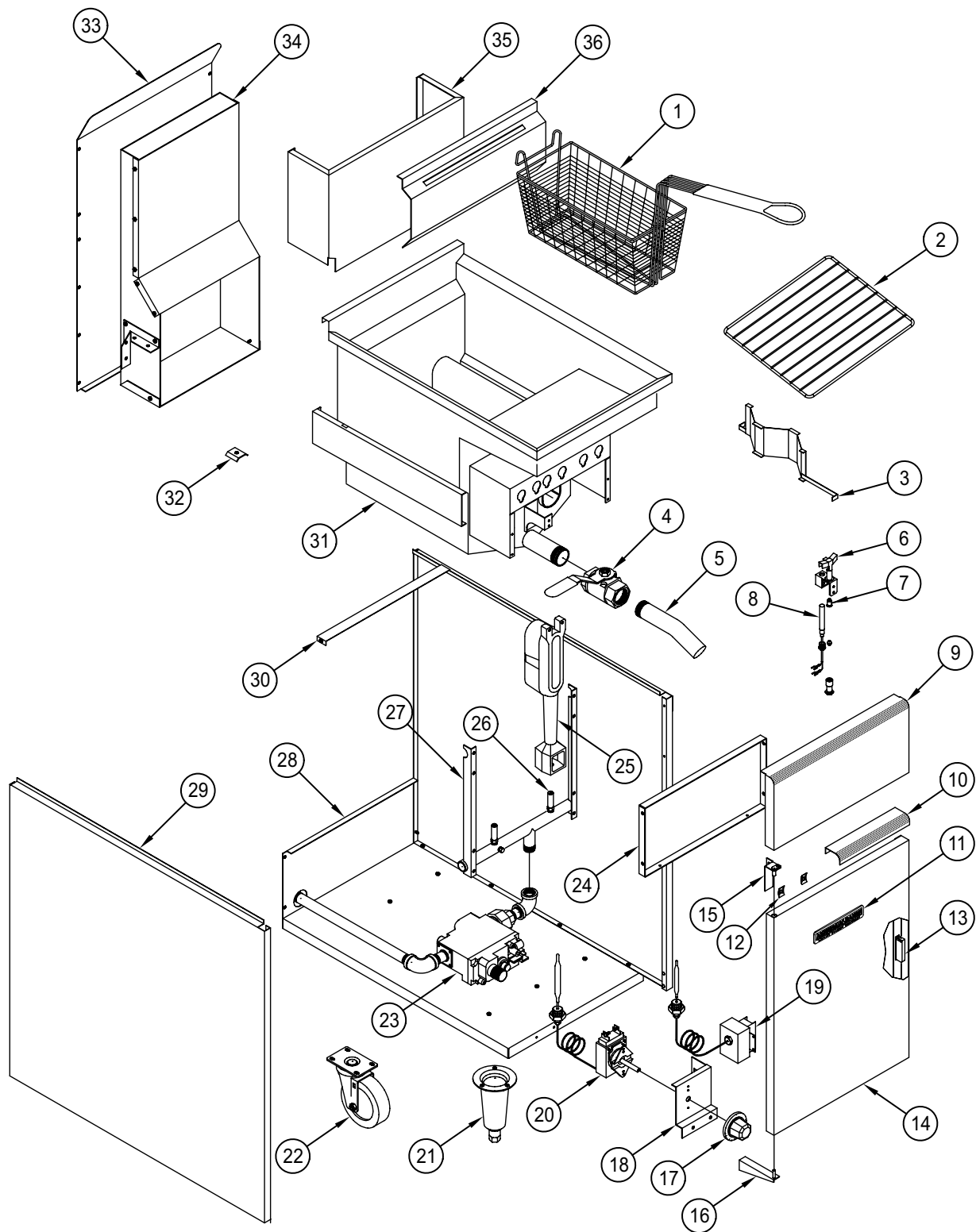
AF-25



## AF-25

ITEM NO.	PART NO.	DESCRIPTION
1	A33000	Basket, Fryer AF-25, AF-40, AF-45 11100 Chrome Plated, Blue Handle
2	A31003	Rack, AF-25 (13" x 6-5/8") 11122 Chrome Plated
3	A99240	Diffuser Assembly
4	A80201	Valve, Drain NSF AF-Series 11103
5	A23003	Drain, Pipe AF Series 11104
6	A11103	Pilot, AF 6CH14-6N .018 Nat Gas 11105
	A11121	Pilot, AF 6CH14-6.014LP Gas
7	A11118	Orifice, Bell 0.018 AR/AF Nat Gas 11001
	A11109	Orifice, Bell 0.014L VL LP Gas 11107 AF Series
8	A11102	Power Generator, Thermopile AF 11109
9	A99416	Panel, Front AF-25 Heavy Duty 5134 Stainless
10	A99319	Handle, AF Series Heavy Duty 5042 Stainless
11	A38000	Name Plate, American Range 8" 10499 Quality Commercial Chrome
12	A44003	Nut, Speed #6 Push Black 10601
13	A43104	Magnet, Door AF Series 11110
14	A99417	Door, Assembly AF-25 Heavy Duty 5143 Stainless
15	A99219	Hinge, Top Door AF Series 5036 Heavy Duty
16	A99220	Hinge, Bottom Door AF Series 5035 Heavy Duty
17	A32013	Knob, RX Thermostat AF Series 11111
18	A99320	Thermostat Bracket
19	A10007	Switch, Hi-Limit Millivolt AF 11112
20	A50400	Thermostat, RX Millivolt AF 11113
21	A35001	Leg, 6" Cone 3" Adjustable Bullet Chrome Plated NSF
22	A35013	Caster, 5" Swivel Plate Mount 10423 w/Brake NSF 200 lb. Load
	A35012	Caster, 5" Swivel Plate Mount 10424 No Brake NSF 200 lb. Load
	A35106	Caster Set of 4 (without brakes)
23	A80102	Gas Valve (Nat)
	A80103	Gas Valve (LPG)
24	A99276	Baffle, Front Cover AF-45 2133
25	A14008	Burner, AF Series Cast Iron 11115 w/American Range Logo
26	A29010	Orifice, Hood, #32 AF Series NG 11116 3/4" Manifold
	A29023	Orifice, Hood, #53 AF Series LG 11117
	A37917	Conversion Kit, AF-25 Nat Gas
27	A15033	Manifold, AF-25 Fryer 3/4" NPT 5130
28	A99418	Panel, Back Bottom AF-45 5128
29	A99419	Panel, AF-25 Rt Side Heavy Duty 5116 Stainless
	A99420	Panel, AF-25 Lt Side Heavy Duty 5117 Stainless
30	A99519	Brace, Cross Support AF025 5118 Heavy Duty Stainless
31	A99402	Tank, AF-25 Fryer Assembly No Drain Valve
32	A99218	Probe Holder
33	A99409	Panel, Top Back AF-25 5129
34	A99321	Flue Box, Assembly AF-25 5144
35	A99410	High Riser, Basket Support AF-25 5121 Heavy Duty Stainless
36	A99435	Hanger, Basket Support AF-25 5124 Heavy Duty Stainless

AF-35/40

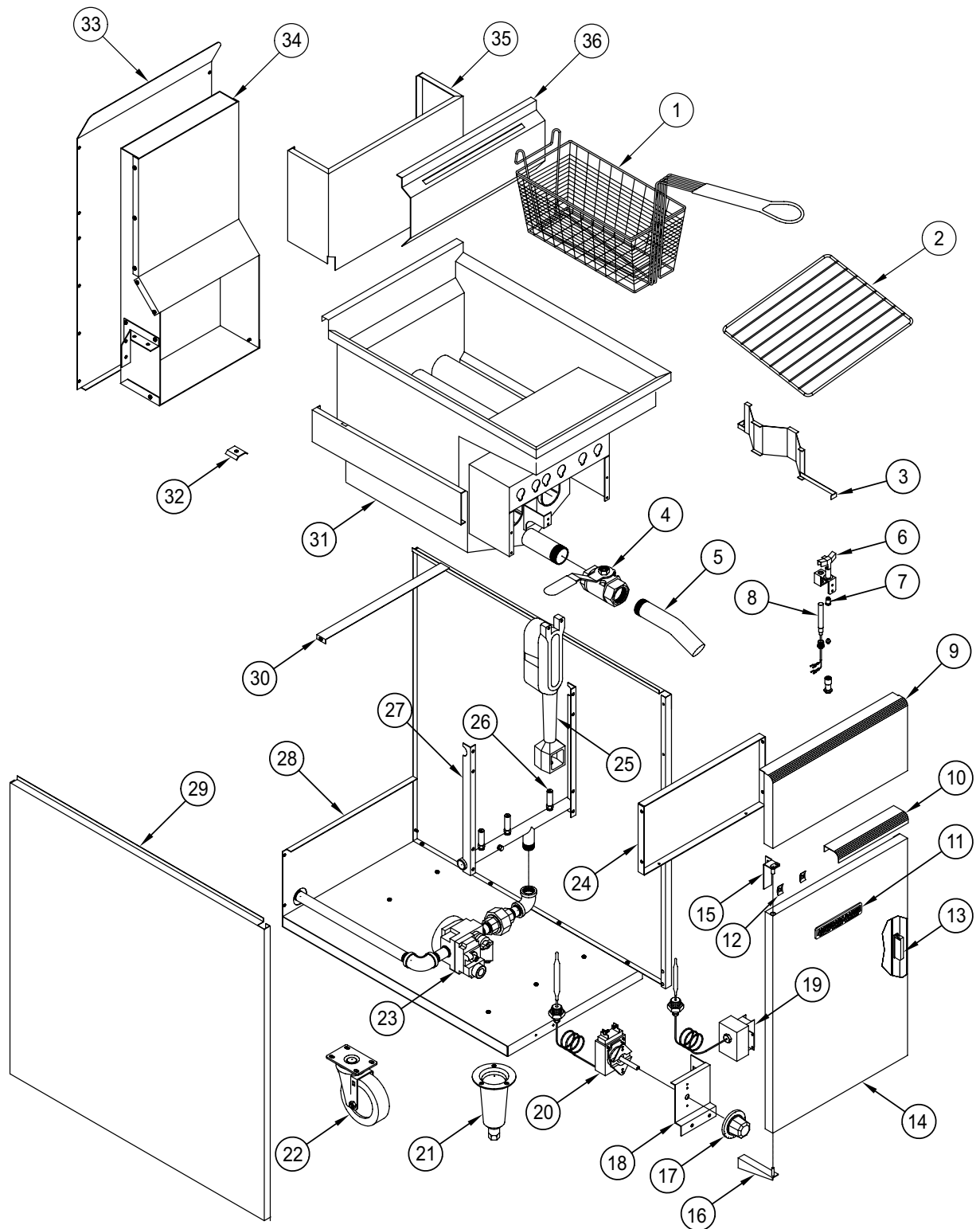




# AF-35/40

ITEM NO.	PART NO.	DESCRIPTION
1	A33000	Basket, Fryer AF-25, AF-40, AF-45 11100 Chrome Plated, Blue Handle
2	A31004	Rack, AF-45 (13-5/8" x 13-13/16" 11102 Chrome Plated
3	A99240	Diffuser, Assembly AF Series 5012 Heavy Duty 20GA 18SR SST
4	A80201	Valve, Drain NSF AF Series 11103
5	A23003	Drain Pipe, AF Series 11104
6	A11103	Pilot, AF 6CH14-6N .018 Nat Gas 11105
	A11121	Pilot, AF 6CH14-6 .014LP Gas
7	A11118	Orifice, Bell .018 AR/AF Nat Gas 11001
	A11109	Orifice, Bell 0.014L VL LP Gas 11107 AF Series
8	A11102	Power Generator, Thermopile AF 11109
9	A99428	Panel, Front AF-45 Heavy Duty 5034 Stainless
10	A99319	Handle, AF Series Heavy Duty 5042 Stainless
11	A38000	Name Plate, American Range 8" 10499 Quality Commercial Chrome
12	A44003	Nut, Speed #6 Push Black 10601
13	A43104	Magnet, Door AF Series
14	A99406	Door, Assembly AF-45 Heavy Duty 5039 Stainless
15	A99219	Hinge, Top Door AF Series 5036 Heavy Duty
16	A99220	Hinge, Bottom Door AF Series 5035 Heavy Duty
17	A32013	Knob, RX Thermostat AF Series 11111
18	A99320	Thermostat Bracket
19	A10007	Switch, Hi-Limit Millivolt AF 11112
20	A50400	Thermostat, RX Millivolt AF 11113
21	A35001	Leg, 6" Cone 3" Adjustable Bullet Chrome Plated NSF
22	A35013	Caster, 5" Swivel Plate Mount 10423 w/Brake NSF 200 lb. Load
	A35012	Caster, 5" Swivel Plate Mount 10424 No Brake NSF 200 lb. Load
	A35106	Casters Set (4) 5" 2 w/Brake AF, ARSP, SPSH-SWIV/Plate Mt
23	A80214	Valve, Gas AF-35/40 Nat Gas 7500MVR 1/2" Manifold
	A80215	Valve, Gas AF-35/40 LP Gas 7500MVR 1/2" Manifold
	A80230	Kit, Conversion to LP Gas for A80214 7500 Gas Valve 78246
24	A99278	Baffle, Front Cover AF-45 5033
25	A14008	Burner, AF Series Cast Iron 11115 w/American Range Logo
26	A29029	Orifice Hood, #32 Nat Gas AF-35/40 1/2" Manifold
	A29030	Orifice Hood, #53 LP Gas AF-35/40 1/2" Manifold
	A37076	Conversion Kit, AF-35/40 LP Gas Two Tube 1/2" Manifold
27	A15112	Manifold, AF-35/40 Fryer 2 Tube 7500 Valve 1/2" Manifold
28	A99429	Panel, Bottom Back AF-45 5028
29	A99430	Panel, AF-45 Rt Side Heavy Duty 5016 Stainless
	A99431	Panel, AF-45 Lt Side Heavy Duty 5017 Stainless
30	A99536	Brace, Cross Support AF-45 5018 Heavy Duty Stainless
31	A99295	Tank, AF35/40 2 Tube Fryer No Drain Valve
32	A99218	Probe Holder, AF Series 5041
33	A99411	Panel, Top Back AF-45 5029
34	A99322	Flue, Box Assembly AF-45 5044
35	A99408	High Riser, Basket Support AF45 5021 Heavy Duty Stainless
36	A99405	Hanger, Basket Support AF-45 5024 Heavy Duty Stainless

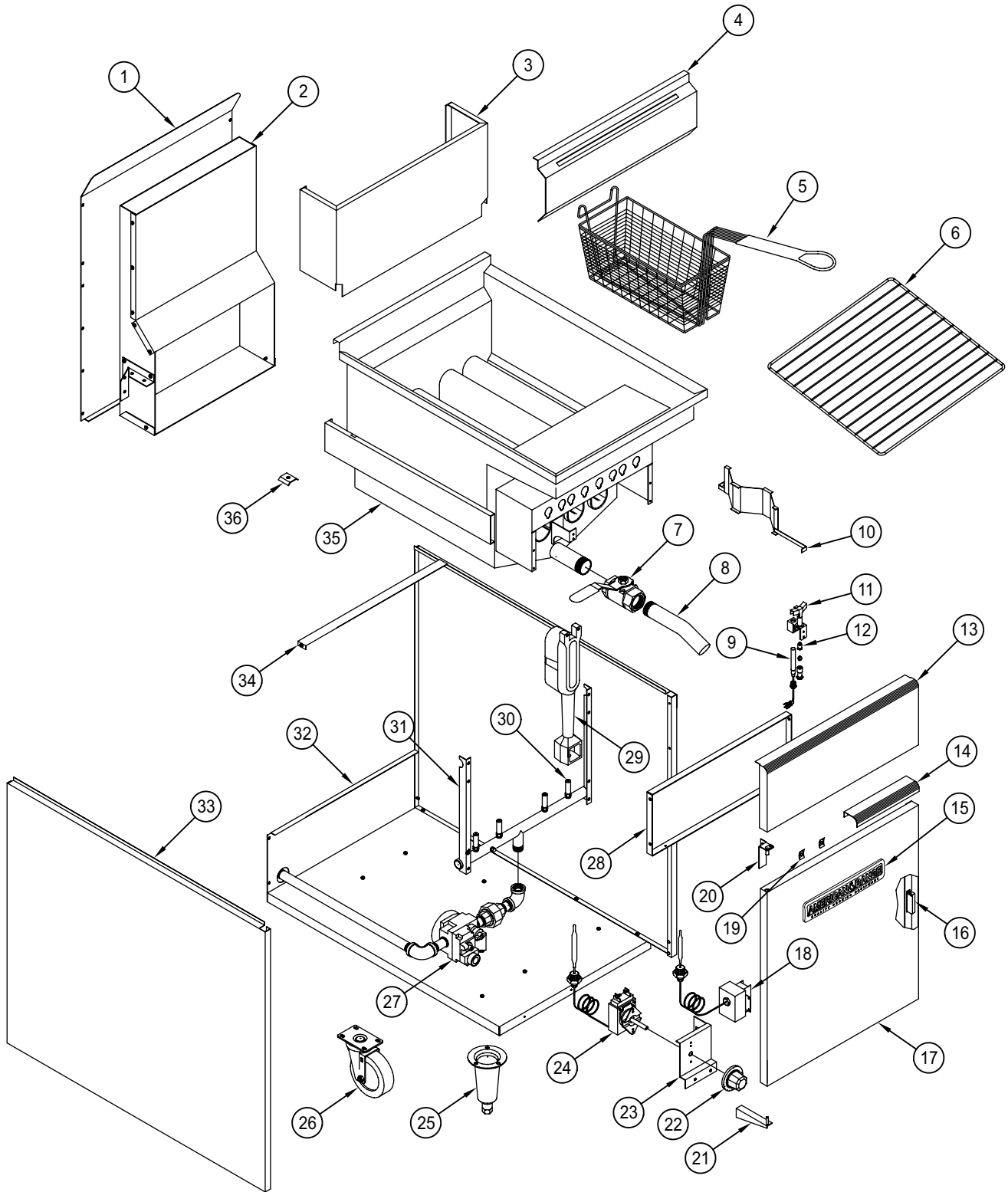
AF-45



# AF-45

ITEM NO.	PART NO.	DESCRIPTION
1	A33000	Basket, Fryer AF-25, AF-40, AF-45 11100 Chrome Plated, Blue Handle
2	A31004	Rack, AF-45 (13-5/8" x 13-13/16") 11102 Chrome Plated
3	A99240	Diffuser, Assembly AF Series 5012 Heavy Duty 20GA 18SR SST
4	A80201	Valve, Drain NSF AF Series 11103
5	A23003	Drain Pipe, AF Series 11104
6	A11103	Pilot, AF 6CH14-6N .018 Nat Gas 11105
	A11121	Pilot, AF 6CH14-6.014LP Gas
7	A11118	Orifice, Bell 0.18 AR/AF Nat Gas 11001
	A11109	Orifice, Bell 0.014L VL LP Gas 11107 AF Series
8	A11102	Power Generator, Thermopile AF 11109
9	A99428	Panel, Front AF-45 Heavy Duty 5034 Stainless
10	A99319	Handle, AF Series Heavy Duty 5042 Stainless
11	A38000	Name Plate, American Range 8" 10499 Quality Commercial Chrome
12	A44003	Nut, Speed #6 Push Black 10601
13	A43104	Magnet, Door AF Series 11110
14	A99406	Door, Assembly AF-45 Heavy Duty 5039 Stainless
15	A99219	Hinge, Top Door AF Series 5036 Heavy Duty
16	A99220	Hinge, Bottom Door AF Series 5035 Heavy Duty
17	A32013	Knob, RX Thermostat AF Series 11111
18	A99320	Thermostat Bracket
19	A10007	Switch, Hi-Limit Millivolt AF 11112
20	A50400	Thermostat, RX Millivolt AF 11113
21	A35001	Leg, 6" Cone 3" Adjustable Bullet Chrome Plated NSF
22	A35013	Caster, 5" Swivel Plate Mount 10423 w/Brake NSF 200 lb. Load
	A35012	Caster, 5" Swivel Plate Mount 10424 No Brake NSF 200 lb. Load
	A35106	Caster, Set (4) 5" 2 w/Brake AF, ARSP, SPSH-Swiv/Plate Mt
23	A80102	Valve, Gas AF-Series Nat Gas 11114 3/4" Manifold
	A80103	Valve, Gas AF Series LP Gas 11114 3/4" Manifold
24	A99278	Baffle, Front Cover AF-45 5033
25	A14008	Burner, AF Series Cast Iron 11115 w/American Range logo
26	A29010	Orifice Hood, #32 AF Series NG 11116 3/4" Manifold
	A29023	Orifice Hood, #53 AF Series LP 11117
	A37028	Conversion Kit, AF-45 Nat Gas
	A37029	Conversion Kit, AF-45 LP Gas
27	A15031	Manifold, AF-45 Fryer 3/4" NPT 5030
28	A99429	Panel, Back Bottom AF-45 5028
29	A99430	Panel, AF-45 Rt Side Heavy Duty 5016 Stainless
	A99431	Panel, AF-45 Lt Side Heavy Duty 5017 Stainless
30	A99536	Brace, Cross Support AF-45 5018 Heavy Duty Stainless
31	A99400	Tank, AF-45 Fryer Assembly No Drain Valve
32	A99218	Probe Holder, AF Series 5041
33	A99411	Panel, Top Back AF-45 5029
34	A99322	Flue Box, Assembly AF-45 5044
35	A99408	High Riser, Basket Support AF-45 5021 Heavy Duty Stainless
36	A99405	Hanger, Basket Support AF-45 5024 Heavy Duty Stainless

AF-75



# AF-75

ITEM NO.	PART NO.	DESCRIPTION
1	A99426	Panel, Top Back AF-75 5229
2	A99323	Flue Box, Assembly AF-75 5244
3	A99427	High Riser, Basket Support AF-75 5221 Heavy Duty Stainless
4	A99414	Hanger, Basket Support AF-75 5224 Heavy Duty Stainless
5	A33001	Basket, Fryer AF-75 Chrome Plated NSF Blue Handle
6	A31005	Screen, AF-75 (17-1/2" x 17-1/2") Chrome Plated Special
	A31047	Rack, AF-75 (17-1/2" x 17-1/2") Chrome Plated NSF
7	A80201	Valve, Drain NSF AF Series 11103
8	A23003	Drain, Pipe AF Series 11104
9	A11102	Power Generator, Thermopile AF 11109
10	A99241	Diffuser, Assembly AF-75 5212 Heavy Duty 20GA 18SR SST
11	A11103	Pilot, AF 6CH14-6N .018 Nat Gas 11105
	A11121	Pilot, AF 6CH14-6 .014LP Gas
12	A11109	Orifice, Bell 0.014L VL LP Gas 11107 AF Series
	A11118	Orifice, Bell .018 AR/AF Nat Gas 11001
13	A99421	Panel, Front AF-75 Heavy Duty 5234 Stainless
14	A99319	Handle, AF Series Heavy Duty 5042 Stainless
15	A38000	Name Plate, American Range 8" 10499 Quality Commercial Chrome
16	A43104	Magnet, Door AF Series
17	A99422	Door, Assembly AF-75 Heavy Duty 5243 Stainless
18	A10007	Switch, Hi-Limit Millivolt AF 11112
19	A44003	Nut, Speed #6 Push Black 10601
20	A99219	Hinge, Top Door AF Series 5036 Heavy Duty
21	A99220	Hinge, Bottom Door AF Series 5035 Heavy Duty
22	A32013	Knob, RX Thermostat AF Series 11111
24	A50400	Thermostat, RX Millivolt AF 11113
25	A35001	Leg, 6" Cone 3" Adjustable Bullet Chrome Plated NSF
26	A35012	Caster, 5" Swivel Plate Mount 10424 No Brake NSF 200 lb. Load
	A35013	Caster, 5" Swivel Plate Mount 10423 w/Brake NSF 200 lb. Load
	A35106	Casters, Set (4) 5" 2 w/Brake AF, ARSP, SPSH-SWIV/Plate Mt
27	A80102	Valve, Gas AF Series Nat Gas 11114 3/4" Manifold
	A80103	Valve, Gas AF Series LP Gas 11114 3/4" Manifold
28	A99277	Baffle, Front Cover AF-75 5233
29	A14008	Burner, AF-Series Cast Iron 11115 w/American Range Logo
30	A29010	Orifice Hood, #32 AF Series NG 11116 3/4" Manifold
	A99425	Orifice Hood, #53 AF Series LP 11117
	A37915	Conversion Kit, AF-75 Nat Gas
	A37916	Conversion Kit, AF-75LP Gas
31	A15032	Manifold, AF-75 Fryer 3/4" NPT 5230
32	A99423	Panel, Back Bottom AF-75 5228
33	A99424	Panel, AF-75 Rt Side Heavy Duty 5216 Stainless
	A99425	Panel, AF-75 Lt Side Heavy Duty 5217 Stainless
34	A99535	Brace, Cross Support AF-75 5218 Heavy Duty Stainless
35	A99401	Tank, AF-75 Fryer Assembly 5200 No Drain Valve
36	A99218	Probe Holder, AF Series 5041

## TROUBLESHOOTING GUIDE

POSSIBLE CAUSE	SUGGESTED ACTION
<b>SYMPTOM: Burners do not come on.</b>	
Unit is not connected to gas service	Visually check unit is plumbed to gas
Pilot is not burning	Light pilot
Thermostat is set to very low temperature	Set temperature to desired value
<b>SYMPTOM: Fryer does not reach selected temperature.</b>	
Unit may not have been operating long enough	Unit preheats to 350°F in about ten minutes
Thermostat may be defective	Unit will require service
Too little gas pressure, dirty gas line	Call for authorized service
<b>SYMPTOM: General frying problems.</b>	
Temperature too low or too high	Set unit to recommended temperature for foods being fried.
Thermostat out of calibration	Unit will require service



Always disconnect the gas service before cleaning or servicing the fryer.



# WARRANTY REQUIREMENT

For reliable operation and for your own safety, this professional cooking equipment must be installed by a certified/licensed contractor.

Failure to comply will void any written or implied warranty.

Should the equipment require service during the standard warranty period, the receipt proving certified installation must be made available to American Range for verification.

If installation was not performed by a certified/licensed contractor be prepared to submit a major credit card for payment for proper installation prior to service.



13592 Desmond Street, Pacoima, CA 91331  
818.897.0808 tel 888.753.9898 toll free  
818.897.1670 fax  
[www.americanrange.com](http://www.americanrange.com)